



Best Choice for Residential



## MONO-FACIAL MODULE

# 400 / 405 / 410 / 415

DM400M10-54HBB  
DM405M10-54HBB  
DM410M10-54HBB  
DM415M10-54HBB



### Aesthetics

Ultimate look of black modules, perfectly matching the owner's aesthetic pursuit



### Quality

Over 40 years of manufacturing experience in house wafer, cell and module



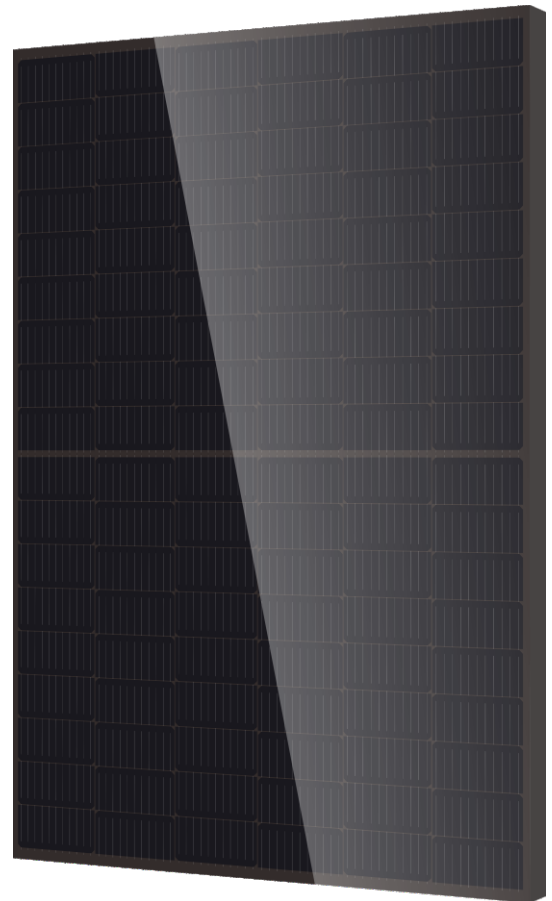
### Guarantee

Warranty comes from one of the most financially healthy PV providers

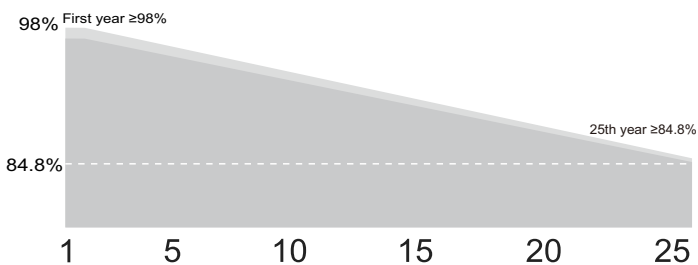


### Service

Customer-oriented and local services



## Warranty



**15** Years product warranty

**25** Years power output warranty

A Member of the Hengdian Group

Ver:20231207A2

## Electrical Specifications

Module Type	DM400M10-54HBB DM400M10-54HBB-V		DM405M10-54HBB DM405M10-54HBB-V		DM410M10-54HBB DM410M10-54HBB-V		DM415M10-54HBB DM415M10-54HBB-V	
	STC	NMOT	STC	NMOT	STC	NMOT	STC	NMOT
Maximum Power (Pmax/W)	400	303	405	307	410	311	415	315
Maximum Power Current (Imp/A)	13.03	10.32	13.11	10.40	13.20	10.47	13.29	10.52
Maximum Power Voltage (Vmp/V)	30.73	29.38	30.91	29.55	31.09	29.72	31.27	29.90
Short-circuit Current (Isc/A)	13.90	11.15	13.98	11.21	14.06	11.28	14.13	11.33
Open-circuit Voltage (Voc/V)	37.09	35.23	37.21	35.34	37.33	35.46	37.45	35.57
Module Efficiency STC (%)	20.5%		20.7%		21.0%		21.3%	

Pmax Tolerance: 0/+3%    STC:AM1.5 1000W/m<sup>2</sup> 25 °C    NMOT:AM1.5 800W/m<sup>2</sup> 20 °C    1m/s Measurement uncertainty:±3%

## Mechanical Data

Cell Type	P type Mono-crystalline
Cell Arrangement	108(6x18)
Module Dimensions	1722x1134x30mm
Weight	21.2kg
Module Structure	Glass/Encapsulant/Backsheet
Glass Thickness	3.2mm
PV Module Classification	Class II
Junction Box Rating	IP68
Cables	4mm <sup>2</sup> /Portrait: 350mm (+)/250mm(-) Landscape: 1100mm(+)/1100mm(-) Length can be customized
Connector Type	PV-ZH202B or MC4 (1000V) PV-ZH202B or MC4-EVO 2A (1500V)

## Packaging

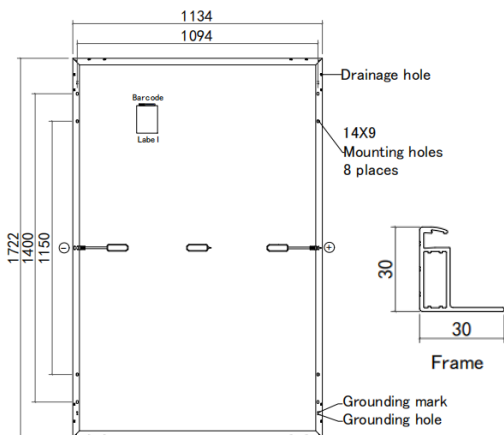
Pallet Dimensions	1770×1140×1250mm
Container	40'HQ
Pieces per Pallet	36
Pieces per Container	936

## Temperature Characteristics

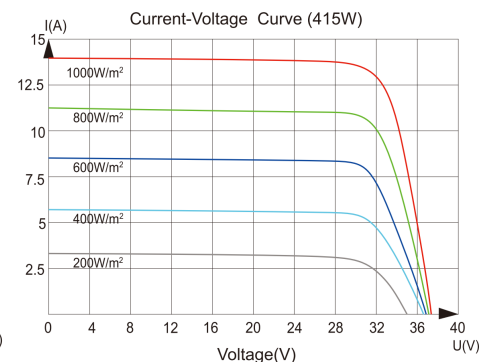
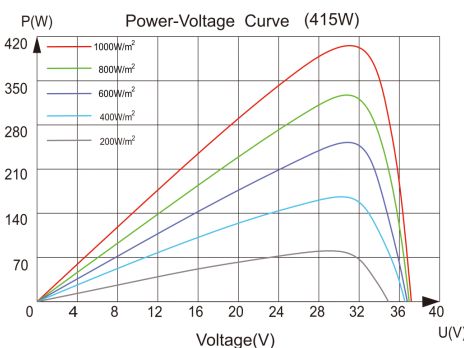
Nominal Module Operating Temperature (NMOT)	42±2°C
Temperature Coefficient of Isc	+0.0448%/°C
Temperature Coefficient of Voc	-0.246%/°C
Temperature Coefficient of Pmax	-0.330%/°C

## Maximum Ratings

Operating Temperature	-40°C to+85°C	Maximum Series Fuse Rating	25A
Maximum Load Capacity	Snow 5400Pa/Wind 2400Pa	Number of Diodes	3
Maximum System Voltage	1000V/1500V DC(IEC)	Fire Rating Class	Class C



(Back side)  
Note:mm



**Statement:** Due to technological progress, product parameters will be adjusted accordingly; When signing the contract, the latest data of the company shall prevail.